



Certificate No. : T-0071

**ELECTRICAL RESEARCH AND DEVELOPMENT ASSOCIATION**

(Accredited by the National Accreditation Board for Testing and Calibration Laboratories, Govt. of India)

ERDA Road, Makarpura Industrial Estate, Vadodara-390 010, India.

EPABX : +91 (0265) 2642942, 2642964, 2642377, 3043128 / 29 / 30 / 31 / 33

Fax : +91 (0265) 2638382

E-mail : erda@erda.org

Web : http://www.erda.org

**TEST REPORT**

SHEET: 1 OF 2

<b>NAME &amp; ADDRESS OF CUSTOMER</b>  <b>EPOXY TERMINAL &amp; EQUIPMENT PVT. LTD.</b> Plot No: 6B, Phase III, IDA, Medak District. 502307.	<b>TEST REPORT NO.:</b> RP-1617-058199	
	<b>DATE</b> : 06.03.2017	
	<b>CUSTOMER REF. NO. :</b> NIL	<b>DATE :</b> 23.01.2017
	<b>DATE OF SAMPLE RECEIPT</b> 19.01.2017	<b>DATE OF TESTING</b> 02.03.2017
<b>SAMPLE DESCRIPTION</b>  CURRENT TRANSFORMER  MFD. BY : EPOXY TERMINAL & EQUIPMENT PVT. LTD. RATIO : 300-600/5-5 A BURDEN : 15/15 VA CLASS : 0.5/5P10 ISF : <10/- SYSTEM VOLTAGE : 11 kV ILV : 12/28/75 kV FREQUENCY : 50 Hz. S.T.C : 25 KA/1 Sec. INSULATION CLASS : E YEAR OF MFG : 2016	<b>SAMPLE IDENTIFICATION</b>  <b>SR. NO.</b> : ETE-02  <b>TYPE</b> : INDOOR, RESIN CAST  <b>ERDA SAMPLE CODE NO. :</b> ERDA-00179616  <b>DRAWING NO. :</b> 1) ETE-CT-WP01, SHEET NO. 2 OF 2 REV .0 2) ETE-001, REV:00	
	<b>ENCLOSURE :</b> <b>Annexure-I (As per sheet 1 of 1)</b>	
	<b>TEST SPECIFICATION :</b> Cl. No. 9.7 of IS 2705(Part 1):1992	
	<b>TEST DETAILS :</b> 1. Temperature rise test.	
<b>TEST RESULTS</b> : As per sheet : 2 OF 2.		
<b>REMARK</b> : The sample <b>conforms</b> to the requirements of the above mentioned standard in the above mentioned test.		
 <b>PREPARED BY</b>	 <b>CHECKED BY</b>	 <b>APPROVED BY</b> <b>(S.B.PATEL)</b>

- Note:**
1. This report relates only to the particular sample received in good condition for testing at ERDA.
  2. This report cannot be reproduced in part under any circumstances.
  3. Publication of this report requires prior permission in writing from Director, ERDA.
  4. Only tests asked for by the customer have been carried out.
  5. In case of any dispute, Vadodara will be the exclusive jurisdiction & shall be construed as where the cause has arisen.

**Caution:** ERDA is not responsible for the authenticity of photocopied or reproduced test reports. ERDA provides support to customers for verification of the authenticity of test reports issued by ERDA.

TE 2182758



Certificate No. : T-0071

## ELECTRICAL RESEARCH AND DEVELOPMENT ASSOCIATION

(Accredited by the National Accreditation Board for Testing and Calibration Laboratories, Govt. of India)  
ERDA Road, Makarpura Industrial Estate, Vadodara-390 010, India.

EPABX : +91 (0265) 2642942, 2642964, 2642377, 3043128 / 29 / 30 / 31 / 33

Fax : +91 (0265) 2638382

E-mail : erda@erda.org

Web : http://www.erda.org



TEST REPORT NO. : RP-1617-058199

SHEET : 2 OF 2

DATE : 06.03.2017

### TEST RESULT :

#### 1. Temperature rise test. (Cl. No. 9.7 of IS 2705(Part 1):1992)

A continuous rated thermal current equals to 120% (i.e.  $600 \text{ A} \times 1.2 = 720 \text{ A}$ ) of the Rated primary current at rated frequency was circulated in the primary winding of the CT. Rated burden (i.e. 15/15 VA) was connected to the secondary winding terminals (i.e. 1S1-1S3, 2S1-2S3) of the CT. At steady state, the temperature of Primary terminals, Body and ambient temperature were recorded. The resistances of secondary windings were measured immediately after shut down and temperature rise calculated.

The temperature rises so obtained were as follows:

Sr. no.	Temperature rise of :	Specified limit for temperature rise test.	Obtained value :
1.	Primary winding terminals (Thermocouple method)	70 °C	P1: 14.5 °C P2: 15.0 °C
2.	Secondary winding (Resistance method)	70 °C	1S1-1S3 : 22.38 °C 2S1-2S3 : 18.61 °C
3.	Body (Thermocouple method)	70 °C	10.0 °C
5.	Ambient temperature	40 °C	31.3 °C

**REMARK:** Conforms

*Wally*  
PREPARED BY

*hi*  
CHECKED BY

TE 2182509



# ELECTRICAL RESEARCH AND DEVELOPMENT ASSOCIATION

(Accredited by the National Accreditation Board for Testing and Calibration Laboratories, Govt. of India)

ERDA Road, Makarpura Industrial Estate, Vadodara-390 010, India.

EPABX : +91 (0265) 2642942, 2642964, 2642377, 3043128 / 29 / 30 / 31 / 33

Fax : +91 (0265) 2638382

E-mail : erda@erda.org

Web : http://www.erda.org



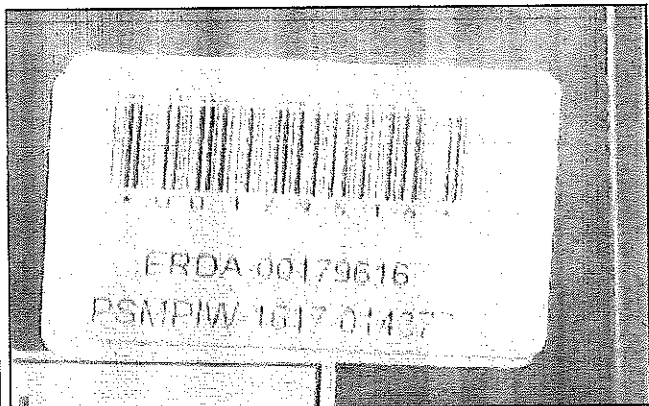
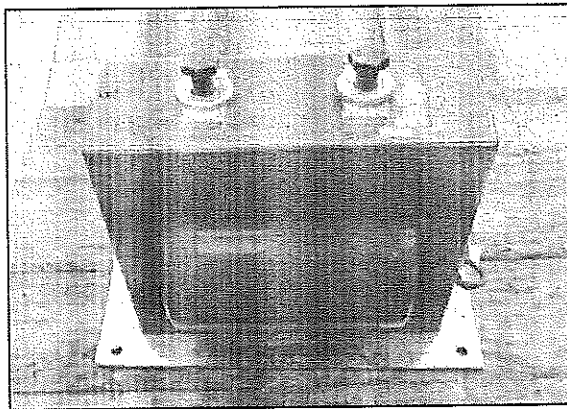
## Annexure-I

TEST REPORT NO. : RP-1617-058199

SHEET : 1 OF 1

DATE : 06.03.2017

### PHOTOGRAPHS OF TEST SAMPLE



CURRENT TRANSFORMER	
CURRENT TRANSFORMER : 300-600/5-5A	TYPE : Indoor, Resin cast
SYSTEM VOLTAGE : 11 KV	CORE I : 15 VA/CL 0.5
ILV : 12/28/75 xV	CORE II : 15 VA/CL 5P10
STC : 25 KA/ 1 SEC	ISF < 10
SL NO. : <b>ETE-02</b>	FREQUENCY : 50 Hz
DRG NO. : ETE-CT-WP01	IS2705/1992
Year of Mfg. : 2016	
MFG BY: EPOXY TERMINAL AND EQUIPMENT PVT. LTD. HYDRABAD, INDIA	

TE 2182510

*ready*  
PREPARED BY

*fi*  
CHECKED BY

## RATING LABEL

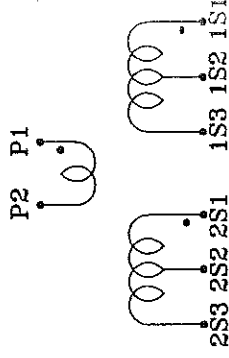
### CURRENT TRANSFORMER

RATIO : 300-600/5-5A    CORE I : 15 VA/CL 0.5  
 SYSTEM VOLTAGE : 11 KV    CORE II : 15 VA/CL 5P10  
 ILV : 12/28/75KV    ISF<10, TYPE : INDOOR, RESIN CAST  
 STC : 25 KA/ 1 SEC    FREQUENCY : 50 Hz  
 SL.NO. : ETE-02    REF.STANDARD: IS2705/1992  
 DRG.NO. : ETE-CT-WP01    INSULATION CLASS : E  
 YEAR OF MFD. : 2016

**MFD. BY:**

**EPOXY TERMINAL AND EQUIPMENT PVT. LTD.**  
 PLOT. NO. 6B, PHASE: III, IDA, PASHAMYLARAM,  
 PATANCHERU, MEDAK (DIST), TELANGANA-502307

## CONNECTION DIAGRAM



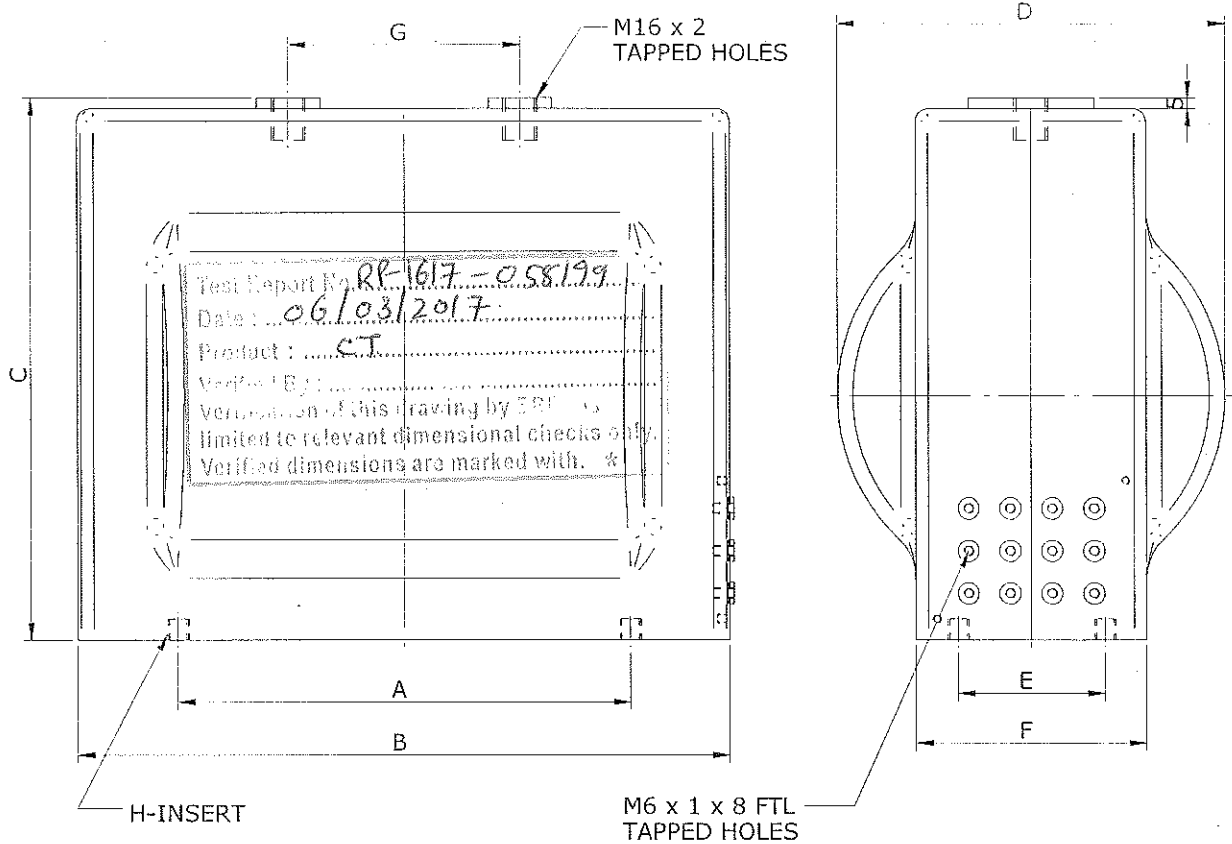
Test Report No. RP-617-058199  
 Date: 06/03/2017  
 Product: C.T.  
 Verified by: [Signature]  
 Year: 2017, this drawing by ETE-02  
 Limited to relevant dimensional checks only.  
 Vertical dimensions are marked with 'w'.

TYPE: INDOOR RESIN CAST	QTY:	ALL DIMENSION ARE IN mm			TITLE RATING LABEL - 11KV WOUND PRIMARY CURRENT TRANSFORMER	SCALE: NTC
0		PALANI		30/11/18		
REV. DATE	DESCRIPTION	DRAWN	CHD. APPD.	SIGN DATE.		

**EPOXY TERMINAL AND EQUIPMENT PVT. LTD.**  
 PLOT. NO. 6B, PHASE: III, IDA, PASHAMYLARAM,  
 PATANCHERU, MEDAK (DIST), TELANGANA-502307

SHE. No.    DRAWING No.  
 2 OF 2    ETE-CT-MK01

REV DESCRIPTION DATE APPROVED



Model No.	A	B	C	D	E	F	G	H - INSERT
CT-WP-1	215	310	255	185	70	110	110	M12 x 1.75
CT-WP-3	215	275	255	185	70	110	110	M12 x 1.75
CT-WP-4	178	245	200	132	0	85	110	M10 x 1.5
CT-WP-5	215	300	235	165	60	110	110	M10 x 1.5
CT-WP-6	180	275	235	165	60	110	110	M10 x 1.5
CT-WP-7	135	227	235	165	60	110	110	M10 x 1.5
CT-WP-8	173	220	200	132	0	85	110	M10 x 1.5
CT-WP-9	105	152	190	132	0	85	80	M10 x 1.5
CT-WP-L	320	410	255	190	70	110	110	M12 x 1.75

GENERAL TOLERANCES  ISO : 2768-1 C	GA Drawing for  11KV WOUND PRIMARY CURRENT TRANSFORMER		SIGN		DATE
			DRN.		15.03.16
			CHD.		15.03.16
		APPD.		15.03.16	

SCALE  %	<b>EPOXY TERMINAL AND EQUIPMENT PVT. LTD.</b> PLOT. NO: 6B, PHASE: III, IDA, PASHAMYLARAM PATANCHERU, MEDAK (DIST), TELANGANA - 502307		DRG.NO:	
			ETE-001	
			REV : 00	